

## Description

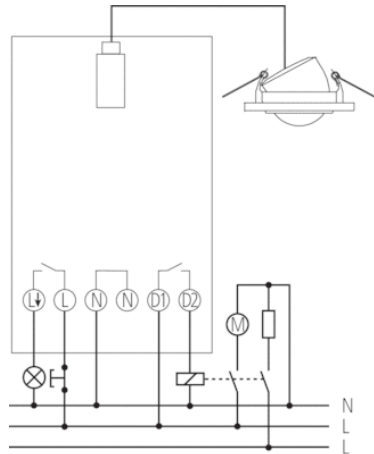


- Motion detector (PIR)
- Automatic lighting control based on presence and brightness
- 2 channels
- 2. Relay for HVAC control with adjustable switch-off delay, presence-dependent, potential-free
- Ceiling installation for suspended ceilings
- Mixed light measurement suitable for the control of fluorescent, incandescent and halogen lamps
- Zero-cross switching for relay-saving switching and high lamp loads
- Sensor head can be adjusted downwards by 45° in 15° stages thus allowing detection area to be changed to avoid switching the device on unnecessarily
- Ceiling cut-out of 65 – 68 mm diameter
- Easy installation via two clamping brackets
- System consists of power box and sensor with plugged connection cable
- Large clamping area for quick installation
- Single-handed plug-in installation with captive screws
- Instant start-up possible via factory preset
- No unintentional adjustment due to covered up controls
- Adjustable brightness switching value and switch-off delay
- Sensitivity can be reduced to limit detection area
- Pulse function
- Test function

## Technical data

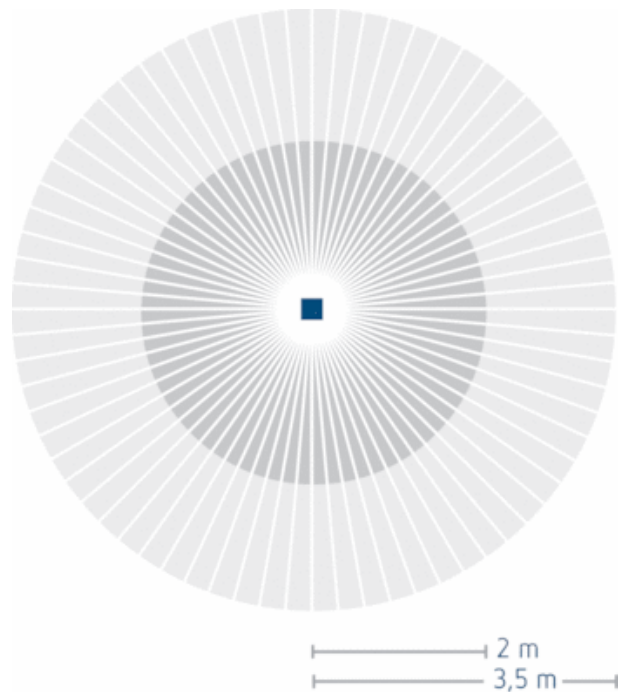
Operating voltage	230 V AC
Frequency	50 – 60 Hz
Stand-by consumption	~1,5 W
Light measurement	Mixed light measurement
Number of channels	2
Type of contact	NO contact
Installation type	Ceiling mounting
Setting range brightness	10 – 2000 lx Infinitely adjustable
Switching capacity light	10 A (at 230 V AC, $\cos \varphi = 1$ ), 3 AX (at 230 V AC, $\cos \varphi = 0.3$ )
Switching capacity presence	5 A ( $\cos f = 1$ ) 250 V AC/24 V DC
Detection angle	360°
Installation height	2 – 3 m
Light switch-off delay	5 s–20 min/Impuls
Presence switch-off delay	10 s/15 min/30 min/60 min
Incandescent lamp load	1000 W
Fluorescent lamp load (conventional) parallel-corrected	400 VA 42 $\mu$ F
LED lamp < 2 W	25 W
LED lamp 2-8 W	90 W
LED lamp > 8 W	100 W
Lamps	Incandescent/halogen lamps, fluorescent lamps, Energy saving lamps, LEDs
Ambient temperature	+0 °C ... +45 °C
Protection class	II
Type of protection	IP 41 (Sensor), IP 20 (power module)

**Connection example**

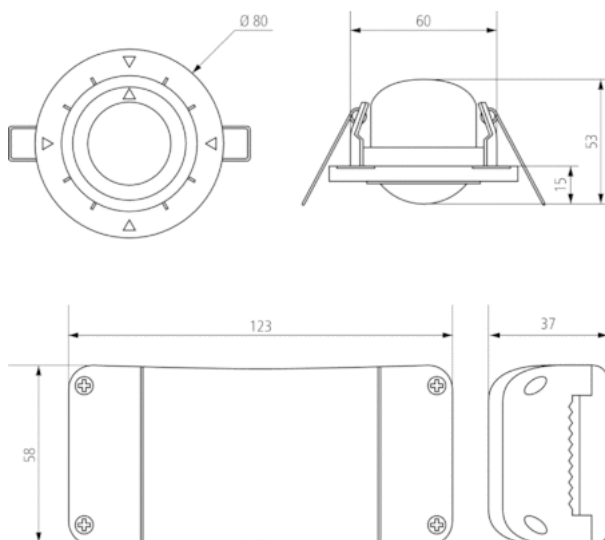


**Detection range**

Mounting height (A)	Head on to (r)	Diagonally (t)
2,5 m	4 m	7 m



**Scale drawings**



Article number: 1030011

## Accessories

---

### RC filter

- Article number: 9070523  
Details ▶ [www.theben.de](http://www.theben.de)

